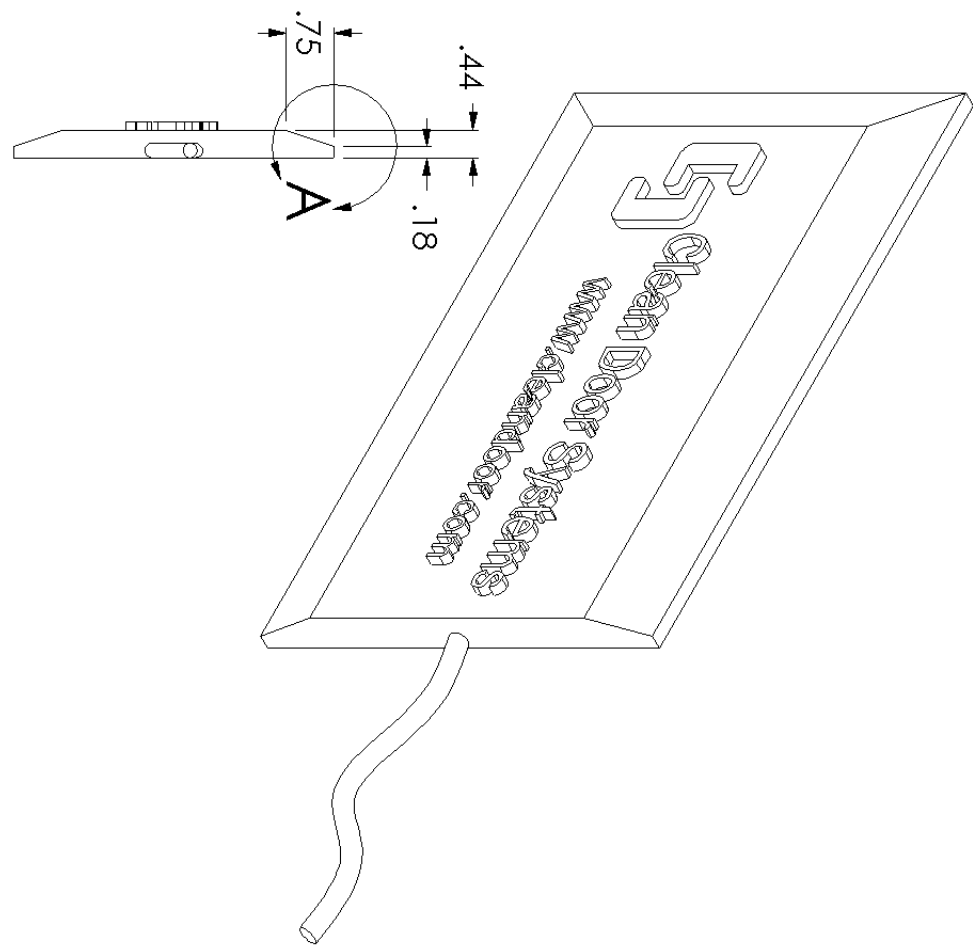


DETAIL A  
SCALE 1 : 1



TITLE

**Clean Door Systems, Inc.**  
ADA Floor Actuator

MATERIAL

Injection Molded Vinyl

UNLESS OTHERWISE SPECIFIED  
DIMENSIONS ARE IN INCHES

PART NUMBER

CDS-4900

REV

TOLERANCES

DECIMAL = .01  
ANGULAR = 1°  
FRACTIONAL = 1/32

DRAWN

JCL

DATE

2-7-06

SCALE

1:3

SHEET

1 OF 1